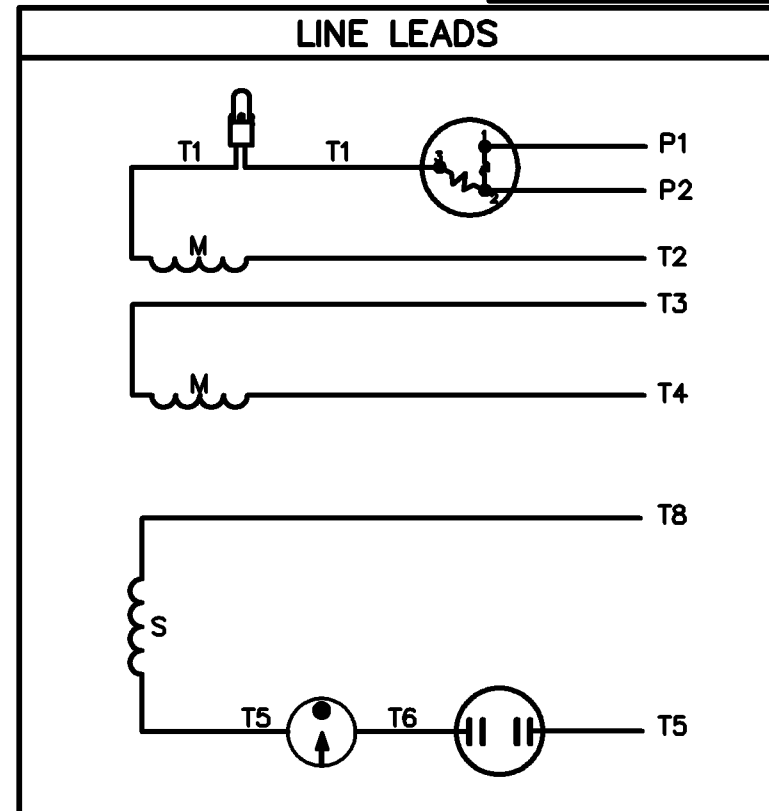
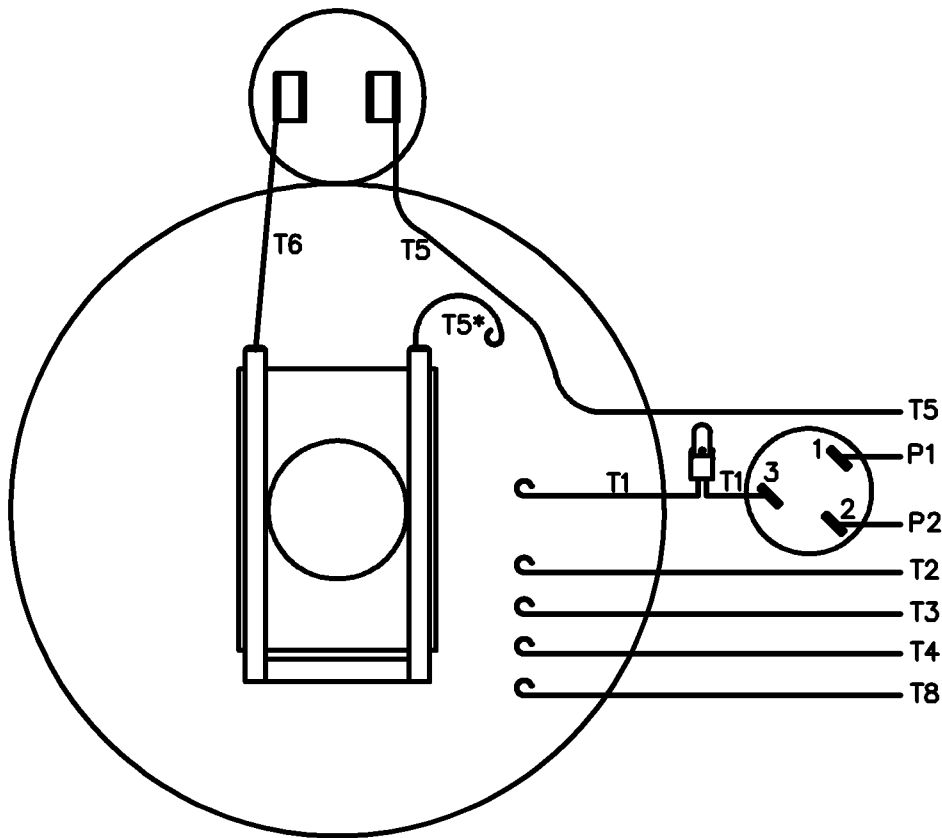


VIEW FROM OUTSIDE OF MOTOR AT SWITCH END.



	ROTATION FACING LEAD END	L1	L2	JOIN	INSULATE SEPARATELY
HIGH VOLT	C.C.W.	P1	T4 T5	T2, T3 T8	P2
	C.W.	P1	T4 T8	T2, T3 T5	P2
LOW VOLT	C.C.W.	P1	T2, T4 T5	P2, T3 T8	
	C.W.	P1	T2, T4 T8	P2, T3 T5	

\* THIS LEAD MAY BE WHITE

TOLERANCES UNLESS SPECIFIED	
DEC.	INCHES
.X	±.1
.XX	±.01
.XXX	±.005
.XXXX	±.0005
ANG	±1/2°



**ELECTRIC MOTORS  
GEARMOTORS  
AND DRIVES**

DRAWN WLW 09/01/76

NO.	REVISION	BY & DATE	CHK	ANG	TOLERANCES UNLESS SPECIFIED
05	ALTERNATE T5 LEAD MARKING WAS RED	RLW 8/6/02	.X	±.1	
04	ADDED ALTERNATE T5 LEAD MARKING	RLW 5/31/02	KH	.XX	±.01
03	DECAL WAS 004015	DBT 12/23/97		.XXX	±.005
02	REDRAWN ON CAD	DBT 05/29/97		.XXXX	±.0005

TITLE	EXT. WIRING DIAGRAM TYPE "C" W/ PROTECTOR
MAT'L.	DECAL - 004011
FINISH	

CHK	
APPD	
SCALE	1=1
REF	
FMF	
PREV	