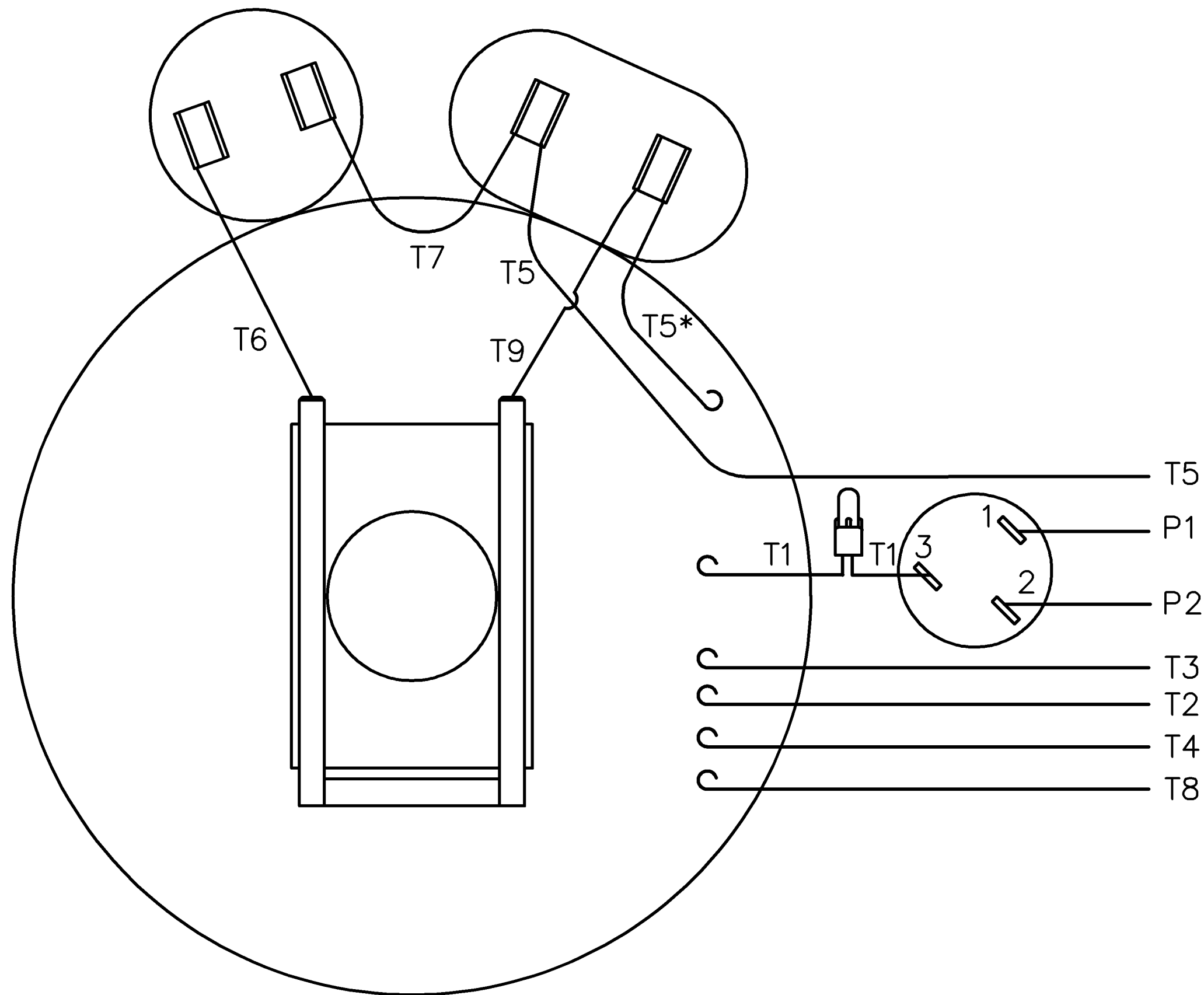
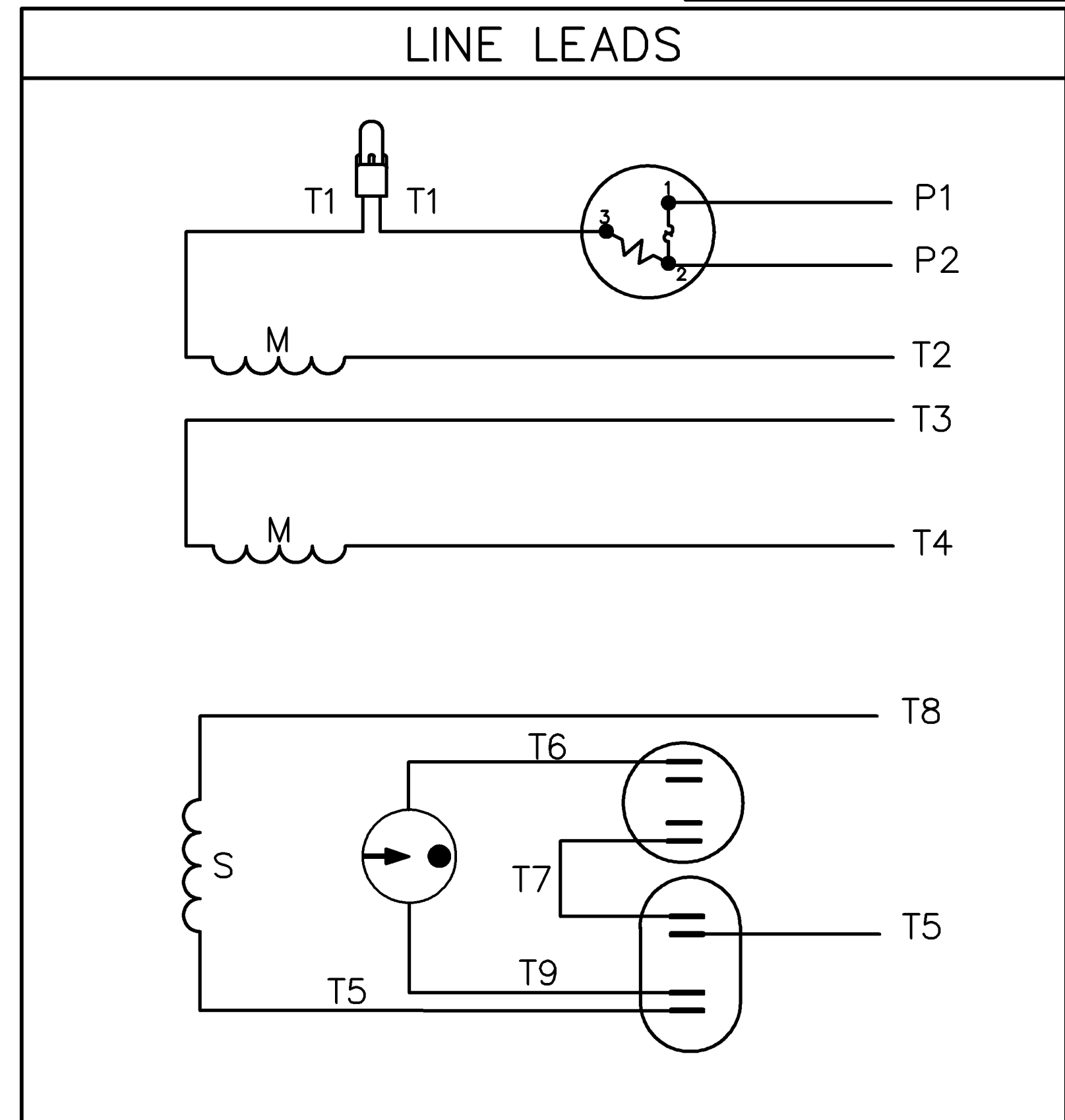


VIEW FROM OUTSIDE OF MOTOR AT SWITCH END.



\* THIS LEAD MAY BE WHITE



	ROTATION FACING LEAD END	L1	L2	JOIN	INSULATE SEPARATELY
HIGH VOLT	C.C.W.	P1	T4 T5	T2, T3 T8	P2
	C.W.	P1	T4 T8	T2, T3 T5	P2
LOW VOLT	C.C.W.	P1	T2, T4 T5	P2, T3 T8	-----
	C.W.	P1	T2, T4 T8	P2, T3 T5	-----

TOLERANCES  
UNLESS SPECIFIED

DEC. INCHES

.X ±.1

.XX ±.01

.XXX ±.005

.XXXX ±.0005

ANG ±1/2"

REGAL-BELOIT *Motor*  
Technologies  
Group

DRAWN ADH 06/16/76

CHK WRK 06/30/76

APPD

SCALE 1=1

REF

FMF 6K17FB8A

PREV

TITLE EXTERNAL WIRING DIAGRAM  
TYPE "K" W/PROTECTOR

MAT'L. DECAL 004011

FINISH

RFP

CAD FILE 00505302

SIZE

DRAWING NO.

REV.

DIST

A

005053-02

04

THIS DRAWING IN DESIGN AND DETAIL IS OUR PROPERTY AND MUST NOT BE USED EXCEPT  
IN CONNECTION WITH OUR WORK ALL RIGHTS OF DESIGN AND INVENTION ARE RESERVED  
THIS IS AN ELECTRONICALLY GENERATED DOCUMENT - DO NOT SCALE THIS PRINT