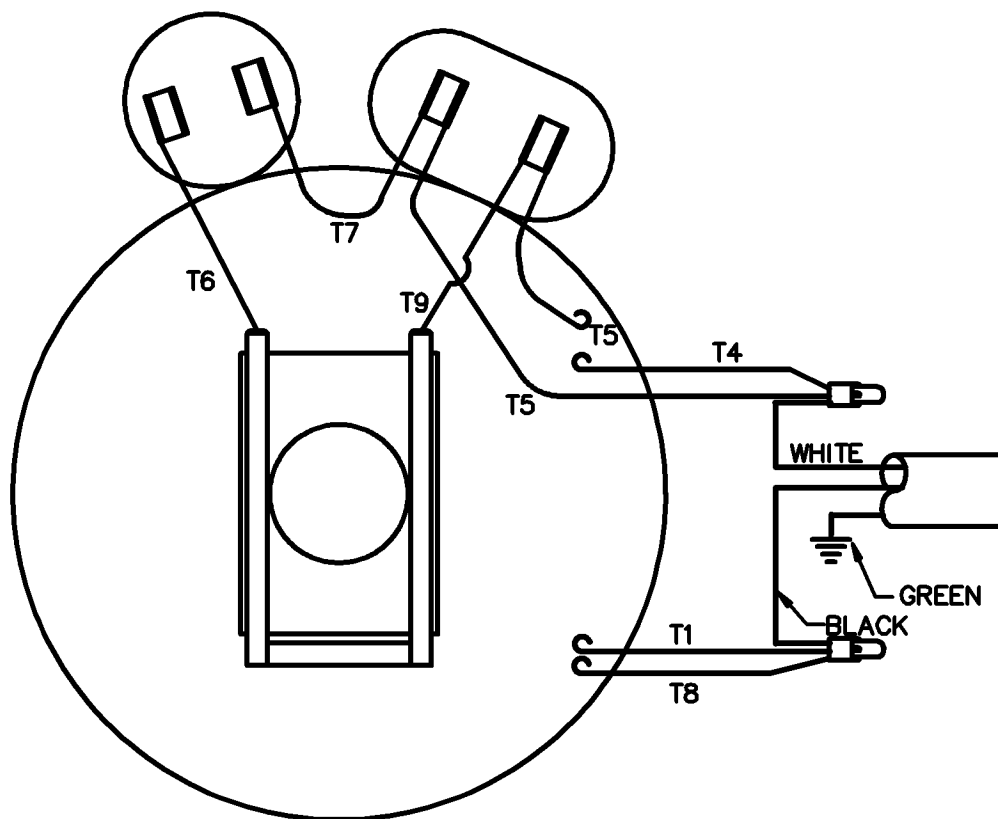
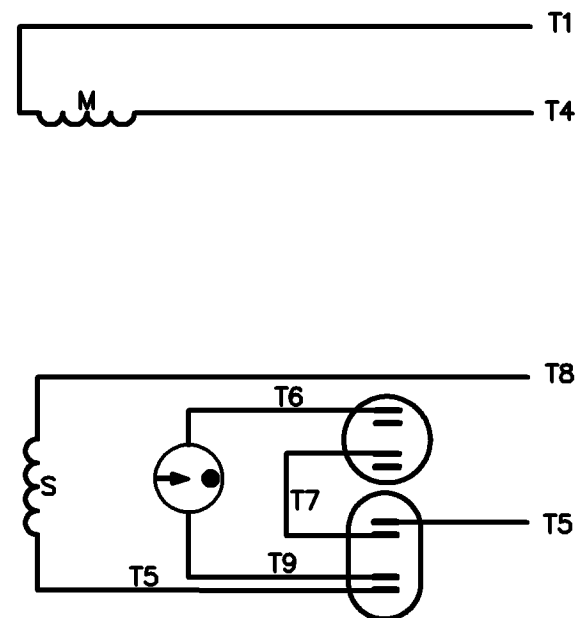


VIEW FROM OUTSIDE OF MOTOR AT SWITCH END.



C.C.W. L.E. ROTATION SHOWN

LINE LEADS



ROTATION
FACING
LEAD END

L1
(BLACK)

L2
(WHITE)

C.C.W.

T1,T8

T4,T5

C.W.

T1,T5

T4,T8

TOLERANCES UNLESS
OTHERWISE SPECIFIED

DECIMALS

.00 ± .01

.000 ± .005

.0000 ± .0005

FRACTIONS ± 1/64

ANGLES ± 1/2°

INCH/MM

LEESON ELECTRIC CORPORATION

DRAWN PG 06/01/83

CH'K'D. DLL 06/06/83

APPR. JCW 06/06/83

SCALE 1=1

REF. FMF 145K34FB6

TITLE EXT. WIRING DIAGRAM
TYPE "K" W/O PROTECTOR

MAT'L. DECAL - 004018

BRF

FINISH

SIZE

A

DRAWING NO.

005018-12

2 UPDATED TO CURRENT STANDARDS

DBT 06/16/97

NO. REVISION

BY DATE

THIS DRAWING IN DESIGN AND DETAIL IS OUR PROPERTY
AND MUST NOT BE USED EXCEPT IN CONNECTION WITH OUR WORK
ALL RIGHTS OF DESIGN AND INVENTION ARE RESERVED